

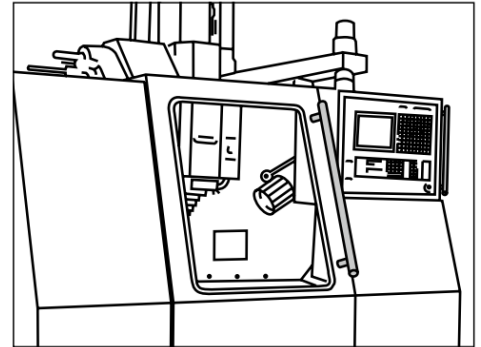
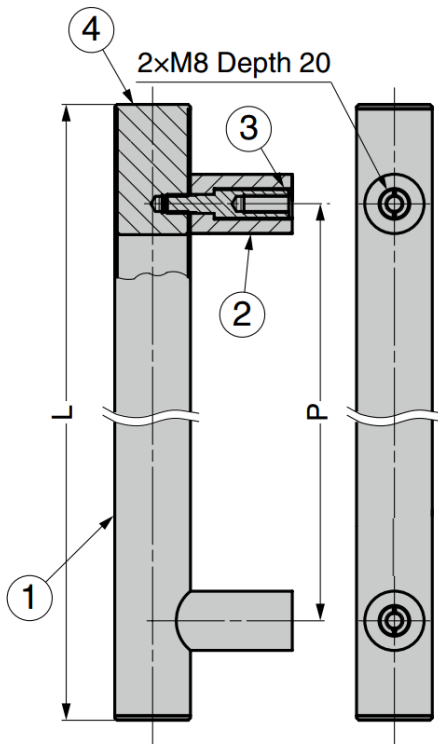
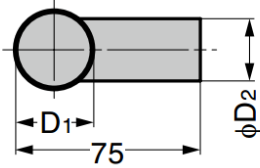
## GSSH Stainless Steel Door Handle

### Features

- Stainless steel handle with simple design
- Other handle sizes are available on request
- Suitable for applications such as equipment doors

### Notes

- For single-sided mount, cannot be used for double-sided mount
- Recommended screw: M8



No.	Part Name	Material	Finish
①	Body	Stainless Steel (SUS304)	Satin
②	Stem		
③	Screws		
④	Cover		

Part No.	L	P	D <sub>1</sub>	D <sub>2</sub>
GSSH-2540	400	316	25	19
GSSH-2560	600	516		
GSSH-2580	800	716		
GSSH-3240	400	316	32	25
GSSH-3260	600	516		
GSSH-3280	800	716		